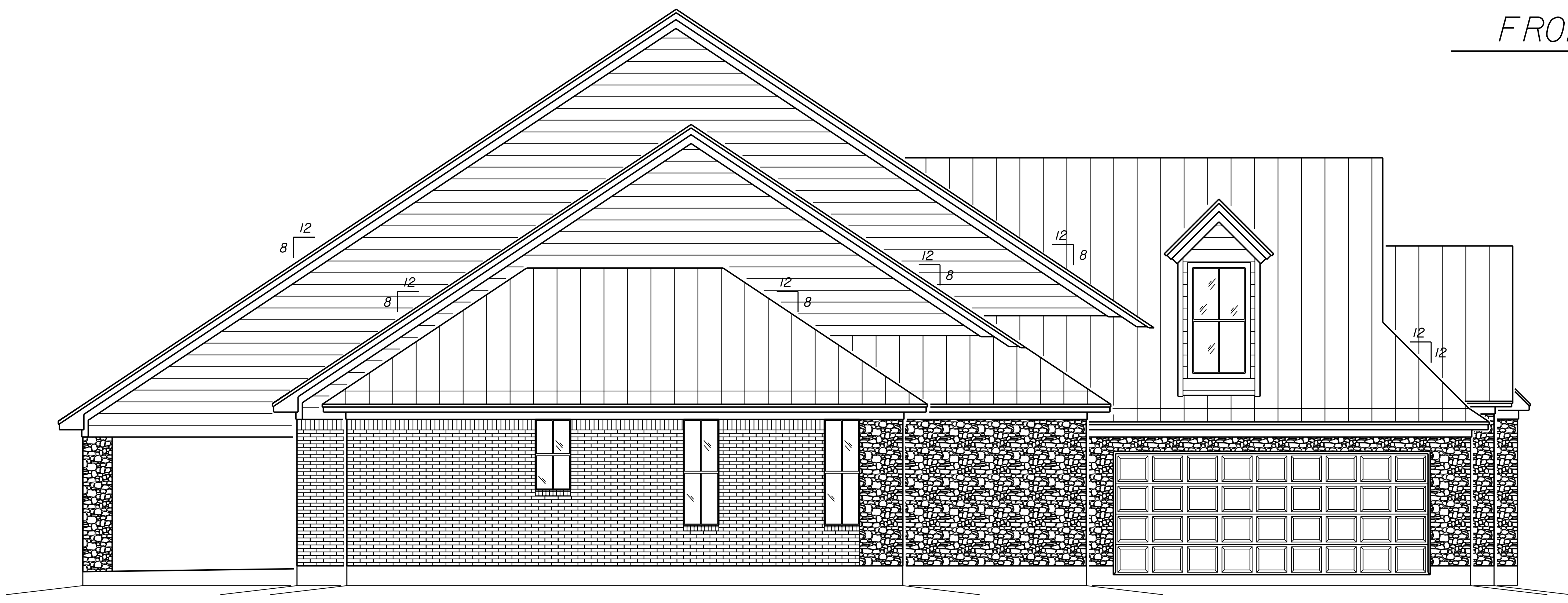
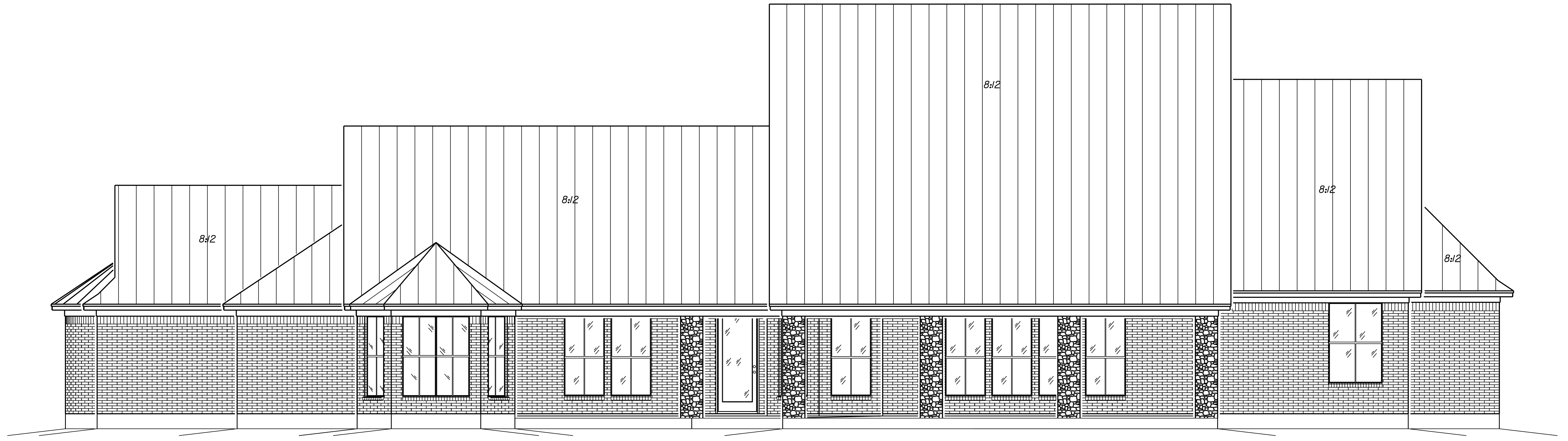




FRONT ELEVATION



LEFT SIDE ELEVATION



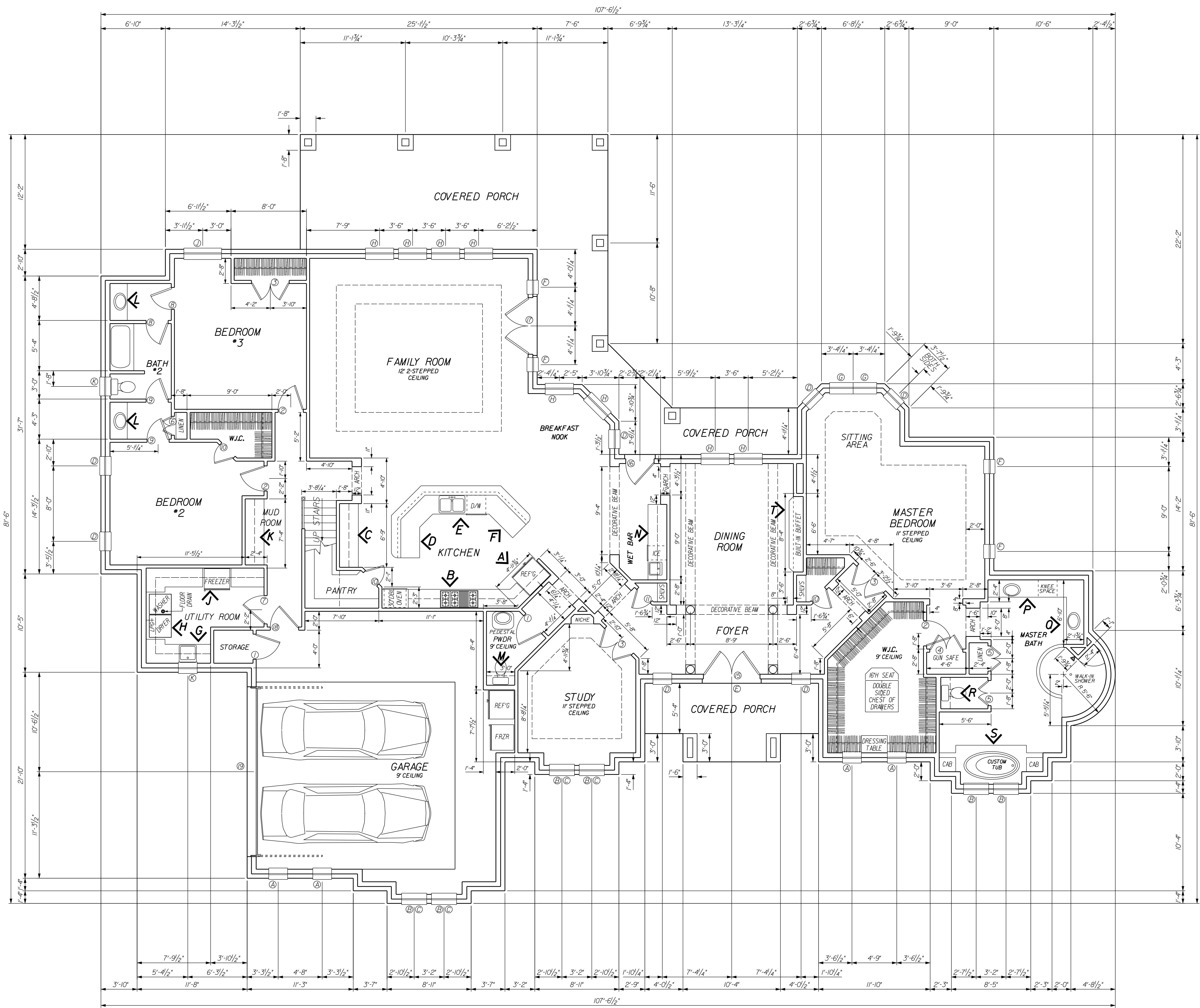
REAR ELEVATION

Town & Country Designs
 CUSTOM HOME DESIGN & REMODELING

Town & Country Designs
 Michael Peres
 130 Fawn Trail
 Lake Jackson, Texas 77566
 (979) 236-7908
 meperes@comcast.net

Residence of
 James & Rebecca Arnold

ELEVATIONS
 Date: December, 2014
 Scale: 1/4" = 1'-0"



WINDOW SCHEDULE		
DESCRIPTION	QTY	
WINDOWS TO ADHERE TO WINDSTORM GUIDELINES		
A 2'0"2'0" DL FIXED	5	
B 2'8'6" SH 2/2	6	
C 2'8'1"4" DL FIXED	4	
D 2'0'6" SH 2/2	7	
E 6'0"2'6" DL ARCH FIXED	1	
F 1'6'6" SH 1/1	4	
G 2'6'6" SH 2/2	2	
H 3'0'6" SH 2/2	9	
J 4'0'6" SH 2/2	1	
K 2'0'4'0" SH 2/2	2	

DOOR SCHEDULE		
DESCRIPTION	QTY	
INTERIOR DOORS, 6 PANEL COLONIST, 4 1/2" JAMB, 2 1/2" FJ COLONIAL CASING		
1 2'8'8" LH	3	
2 2'8'8" RH	3	
3 4'0'8" DOUBLE	3	
4 3'6'8" DOUBLE	1	
5 2'8'8" DOUBLE	2	
6 2'0'8" DOUBLE	1	
7 3'0'8" LH	1	
8 2'4'8" LH	2	
9 2'4'8" RH	2	
10 2'0'8" LH	3	
11 2'0'8" RH	1	
12 2'8'6" RH	1	
13 2'4'6" RH	1	
14 4'0'6" DBL	1	
EXTERIOR DOORS, DB CASING PER OWNER, JAMBS VARY, SEE PLANS		
15 6'0'8" DBL ENTRY	1	
16 3'0'8" LH, LITE, MTL	1	
17 6'0'8" DBL, LITE, MTL	1	
18 3'0'8" RH, 6-PANEL, MTL	1	
19 18'0" OVERHEAD, MTL	1	
20 2'0'6" RH	1	

ALL CEILING HEIGHTS TO BE 10' UNLESS NOTED OTHERWISE

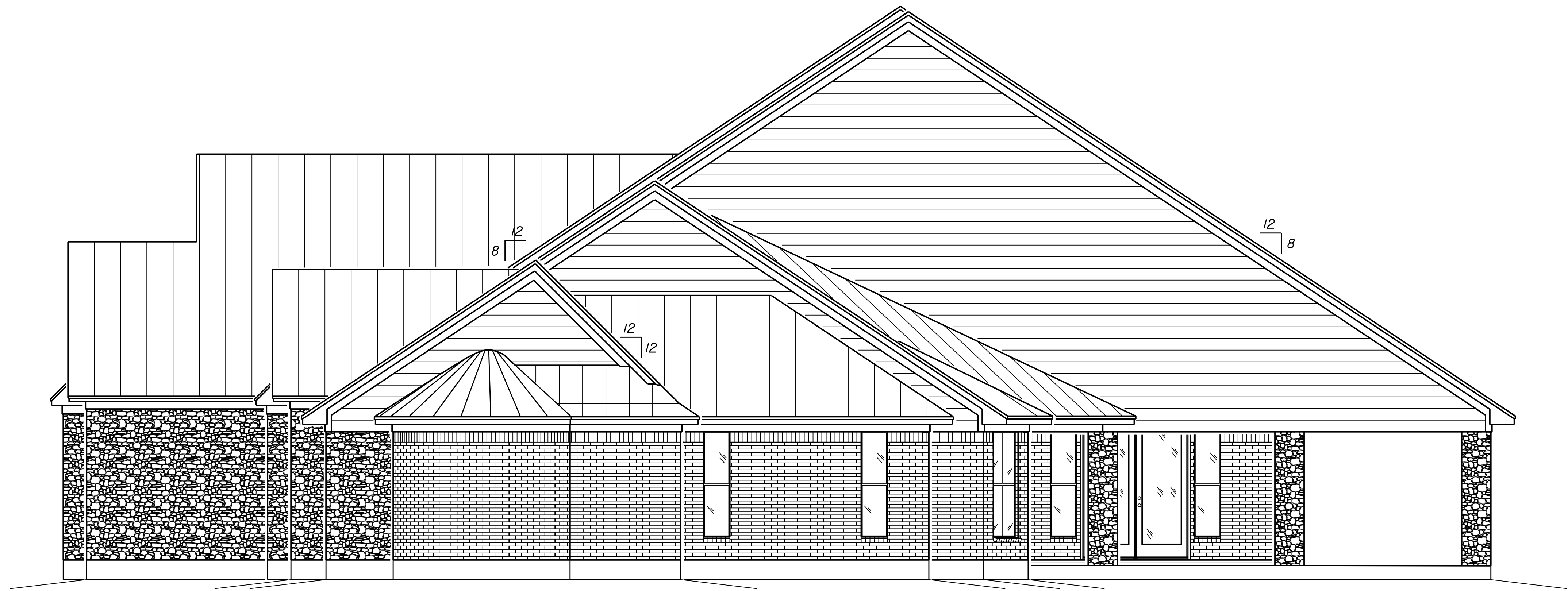
1ST FLOOR LIVING AREA : 3,722 S.F.
 2ND FLOOR LIVING AREA : 395 S.F.
 TOTAL LIVING AREA : 4,117 S.F.
 COVERED FRONT PORCH AREA : 129 S.F.
 COVERED BACK PORCH AREA : 626 S.F.
 GARAGE AREA : 797 S.F.

Town & Country Designs
 CUSTOM HOME DESIGN & REMODELING

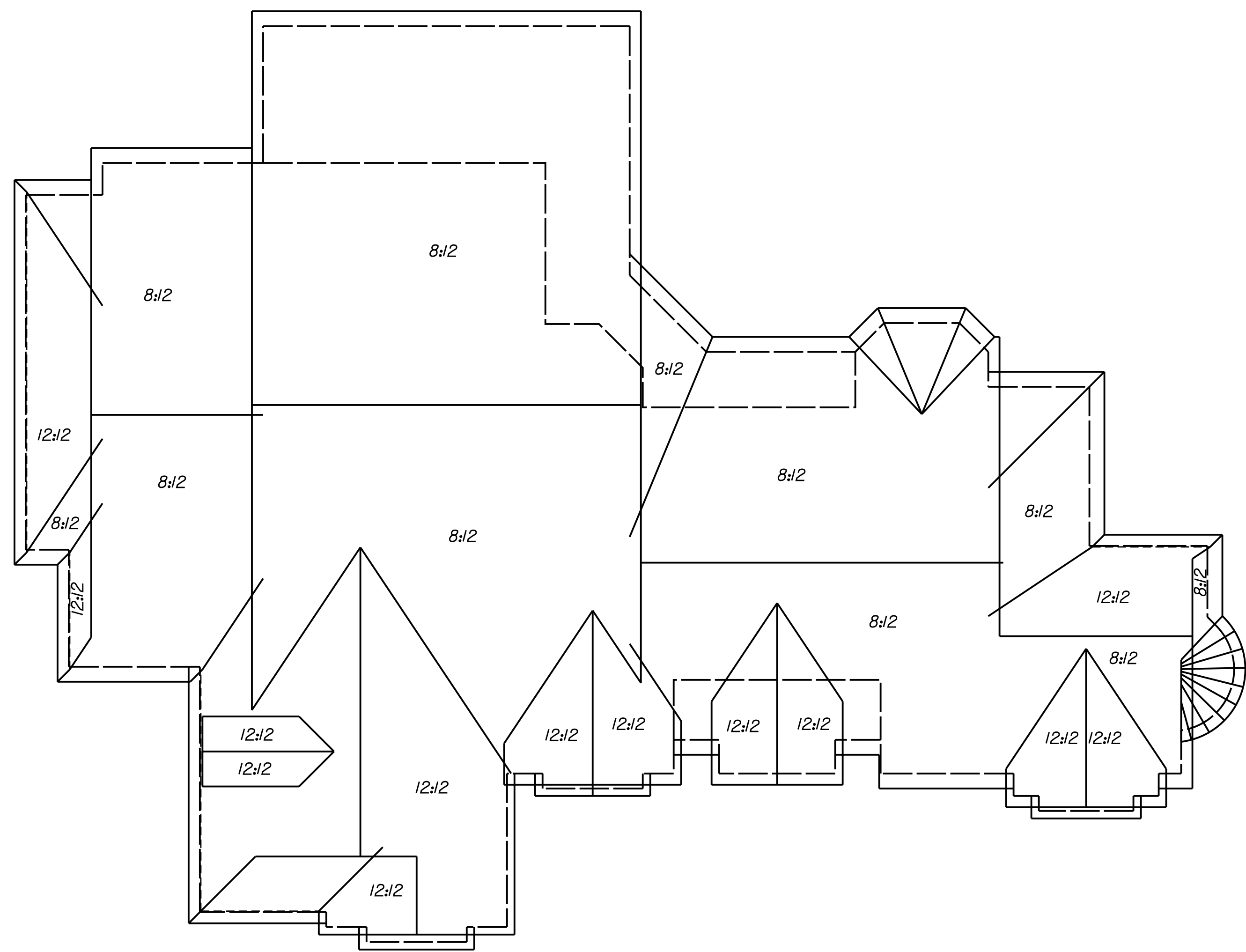
Town & Country Designs
 Michael Peres
 130 Fawn Trail
 Lake Jackson, Texas 77566
 (979) 236-7908
 meperes@comcast.net

Residence of
 James & Rebecca Arnold

MAIN FLOOR PLAN
 Date: December, 2014
 Scale: 1/4" = 1'-0"
 SHT. 4117-2

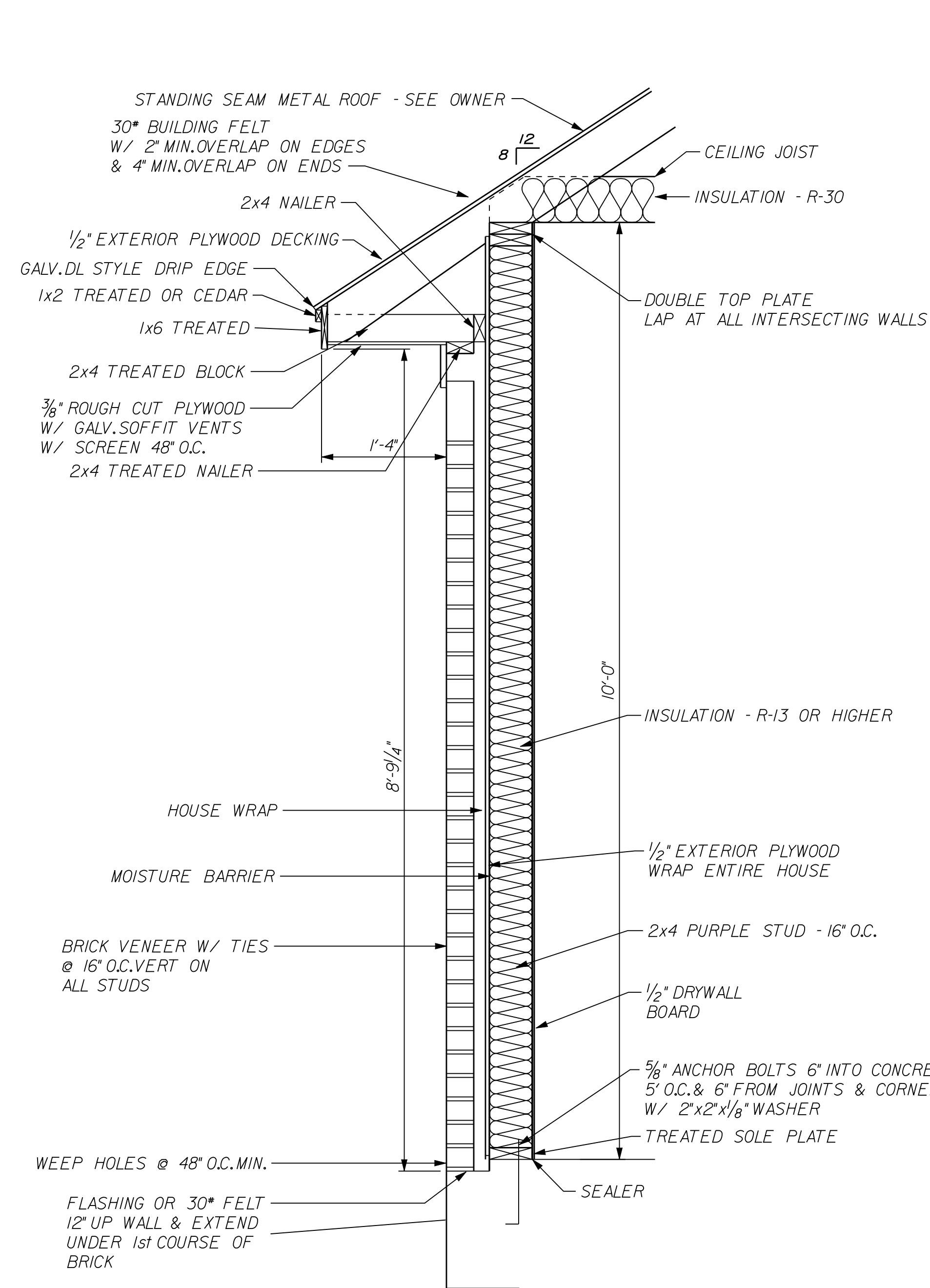


RIGHT SIDE ELEVATION

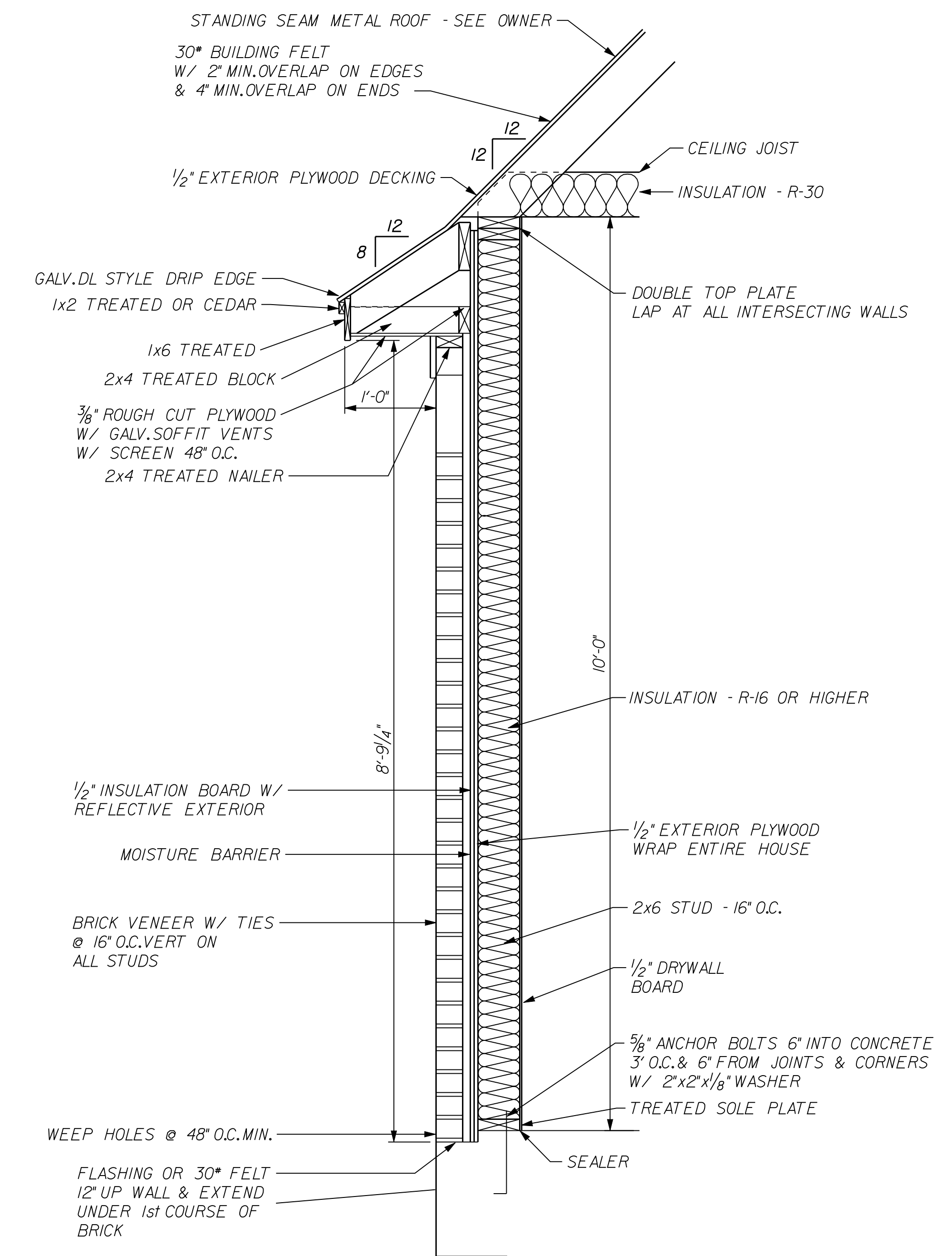


ROOF PLAN

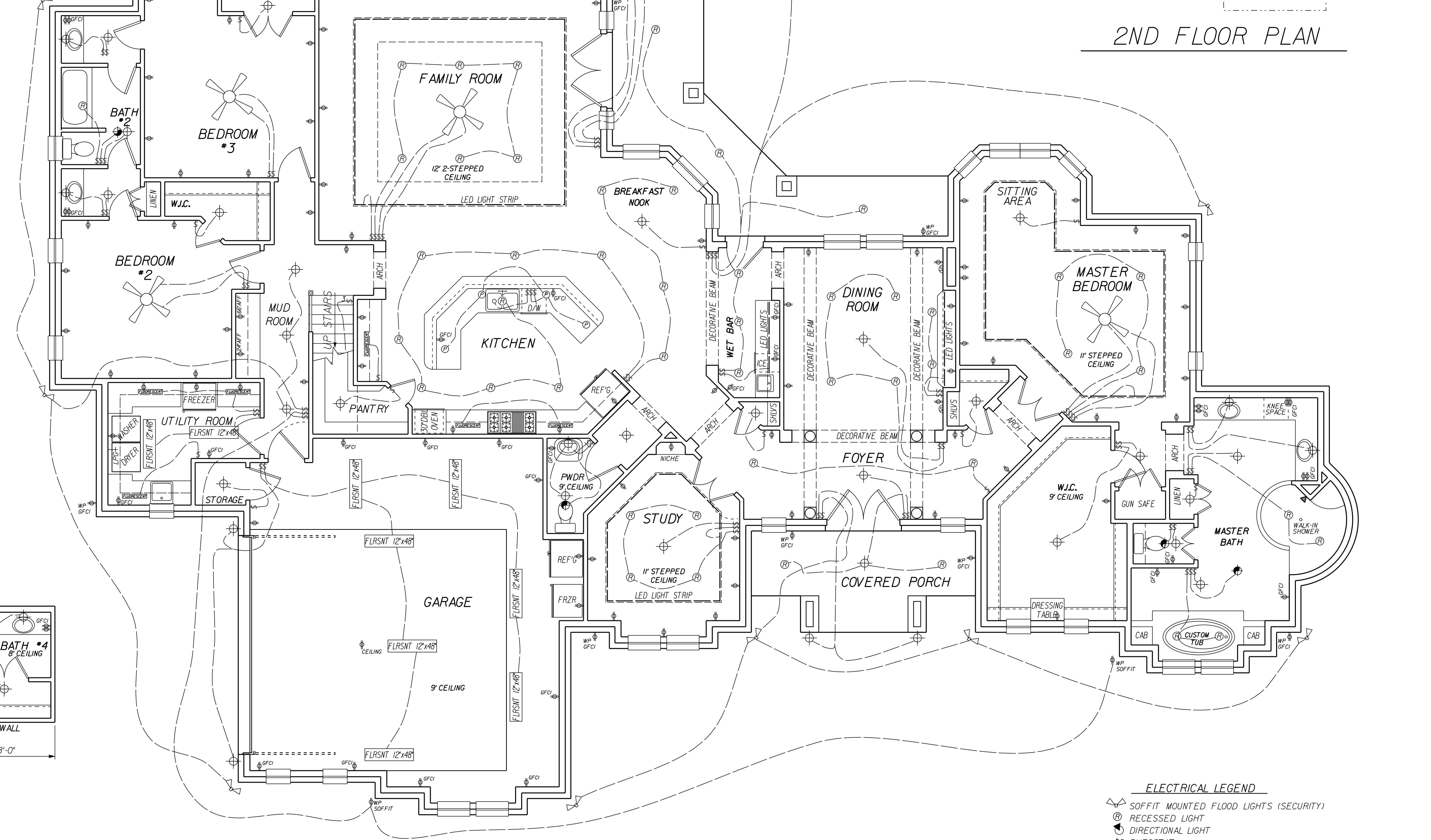
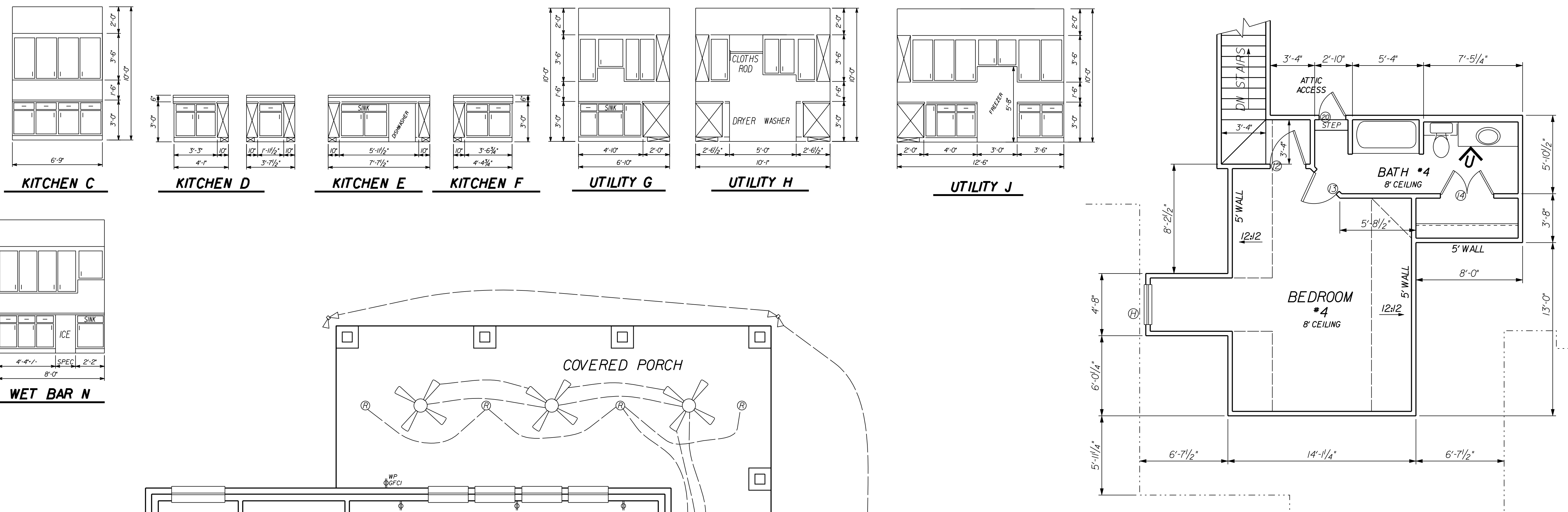
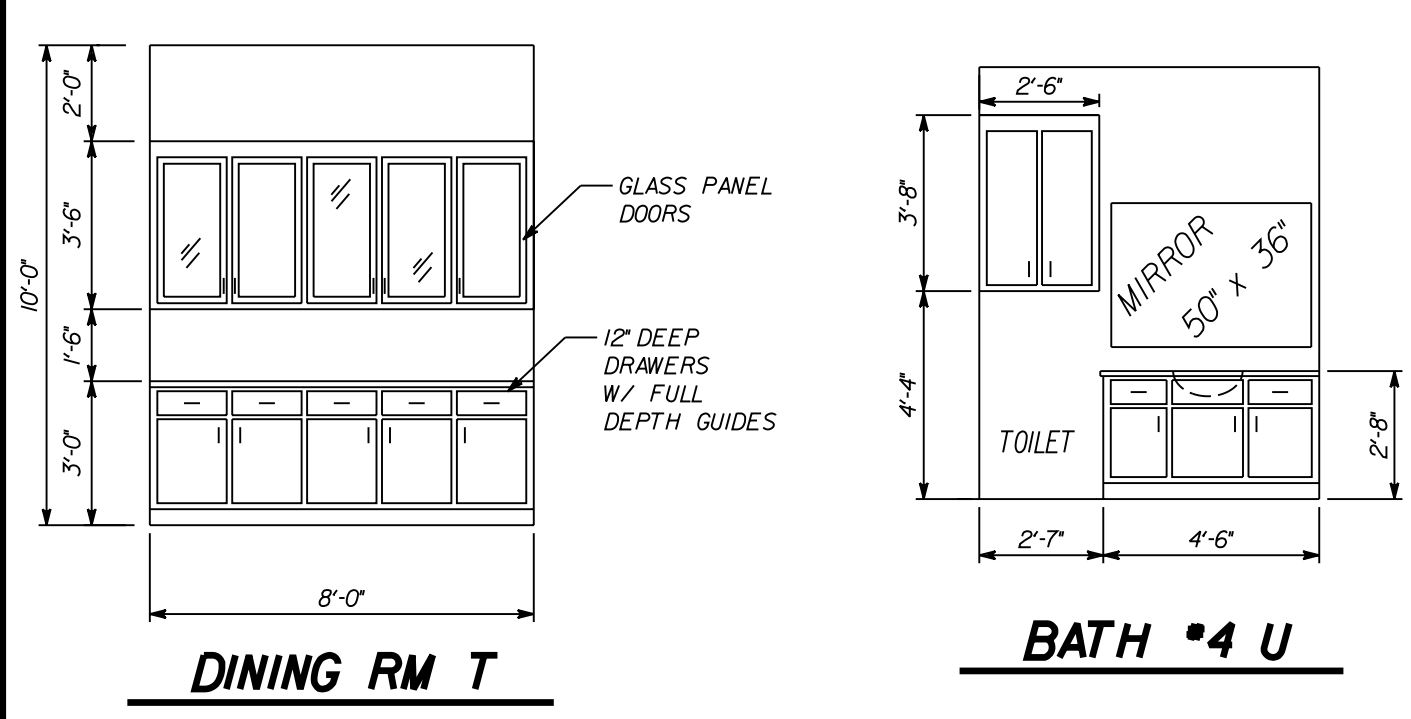
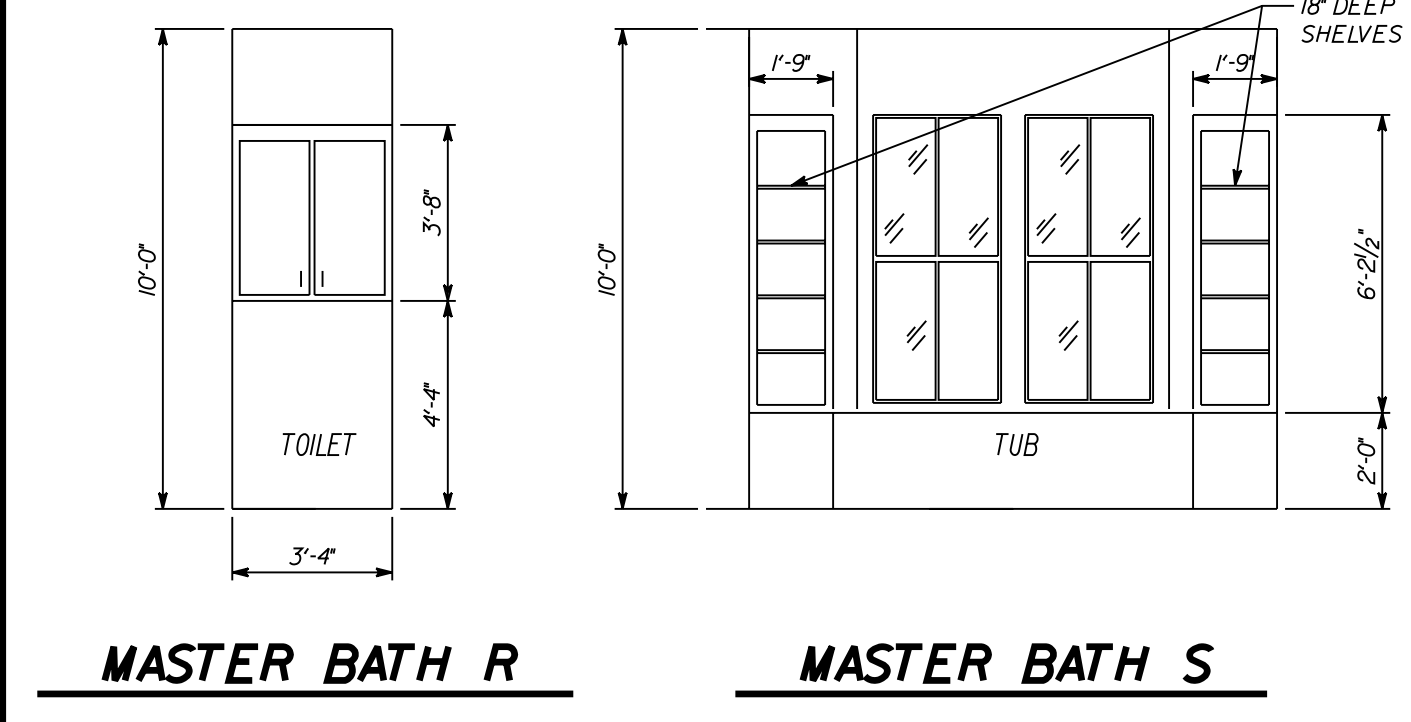
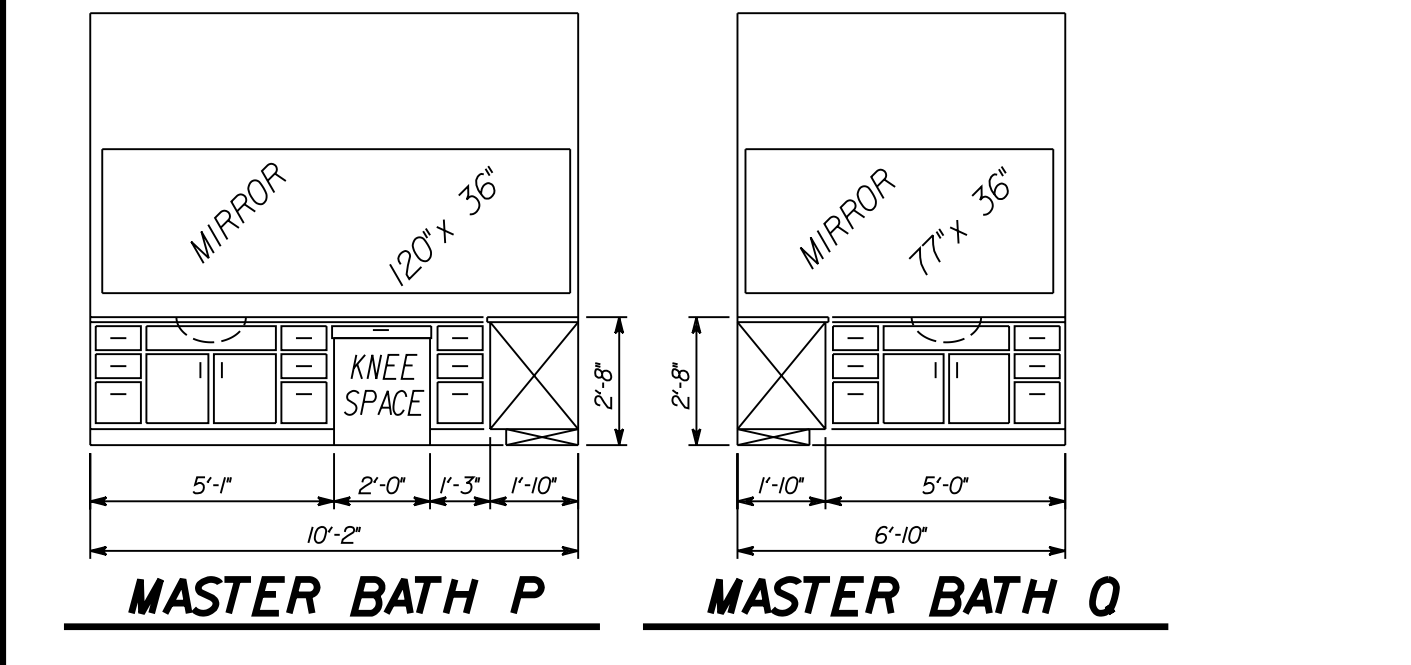
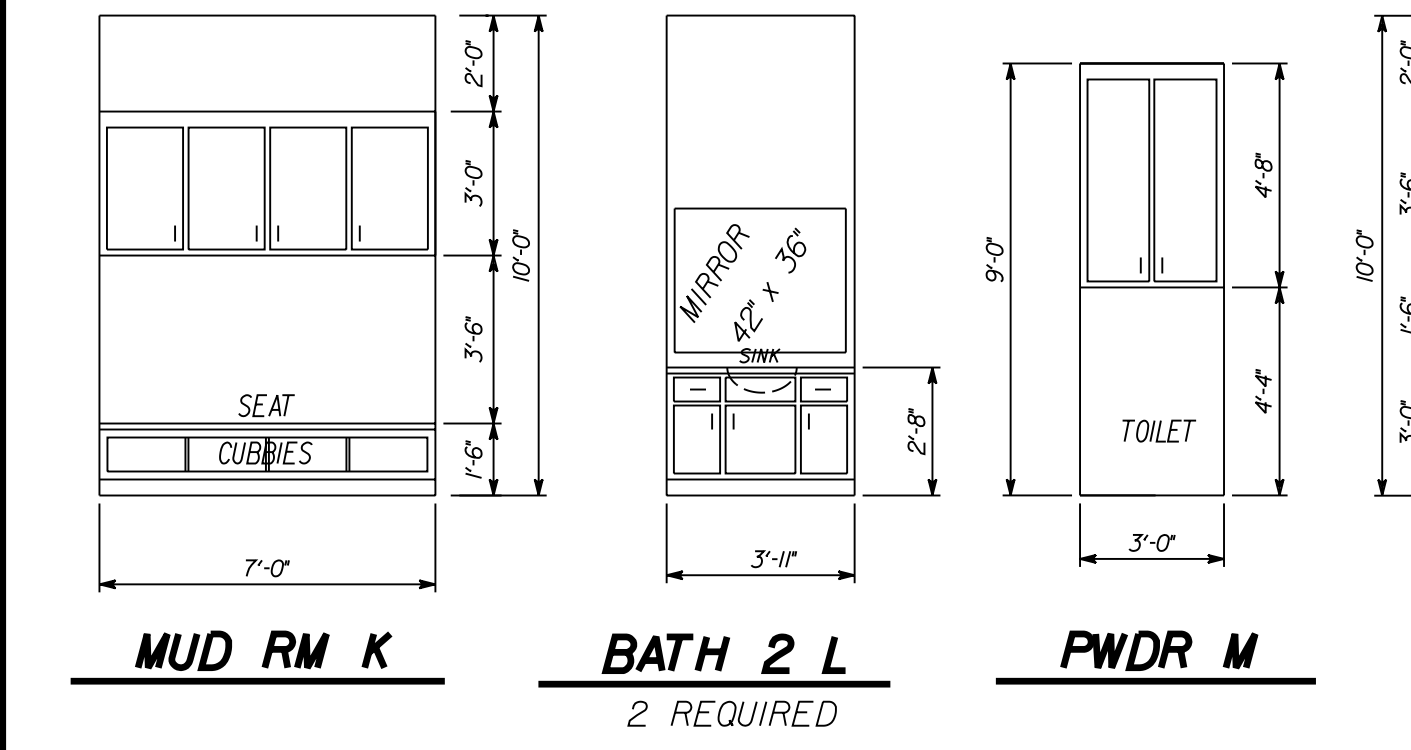
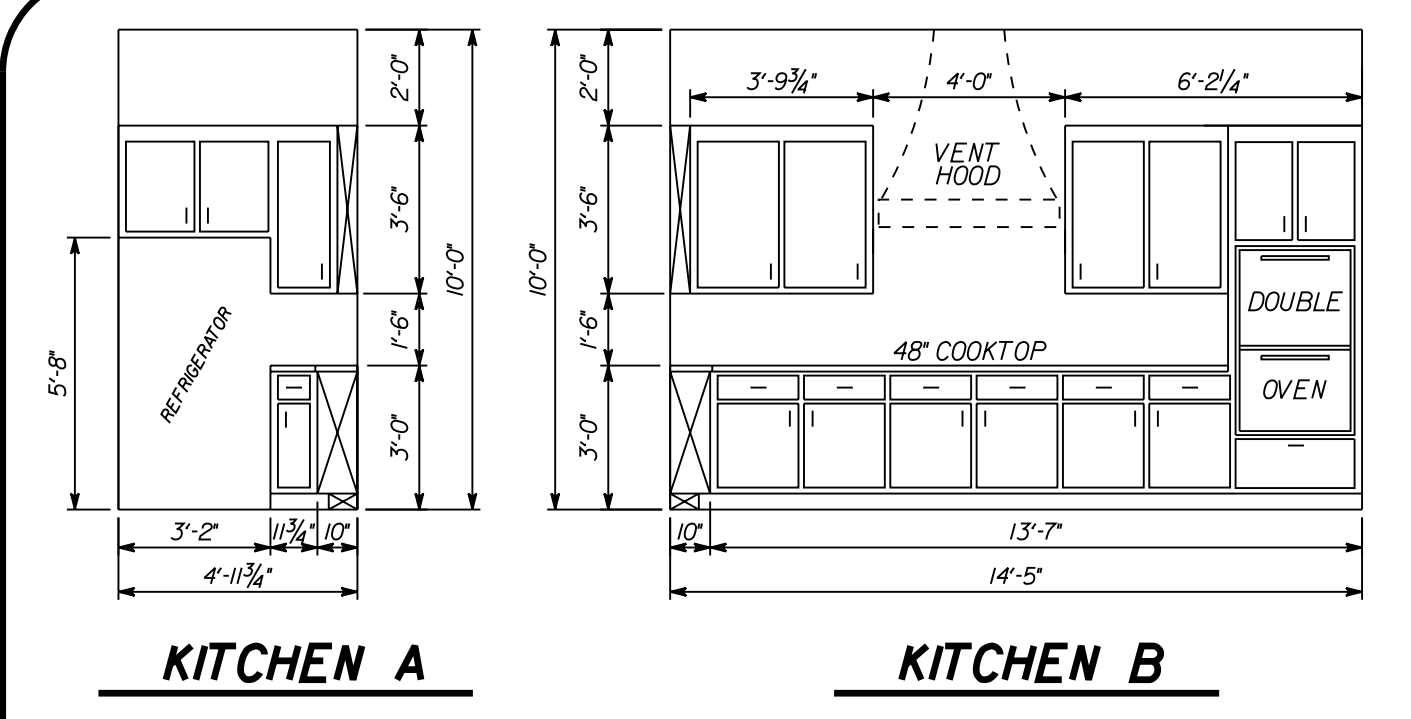
SCALE: 1/8" = 1'-0"



TYP. WALL



TYP. WALL

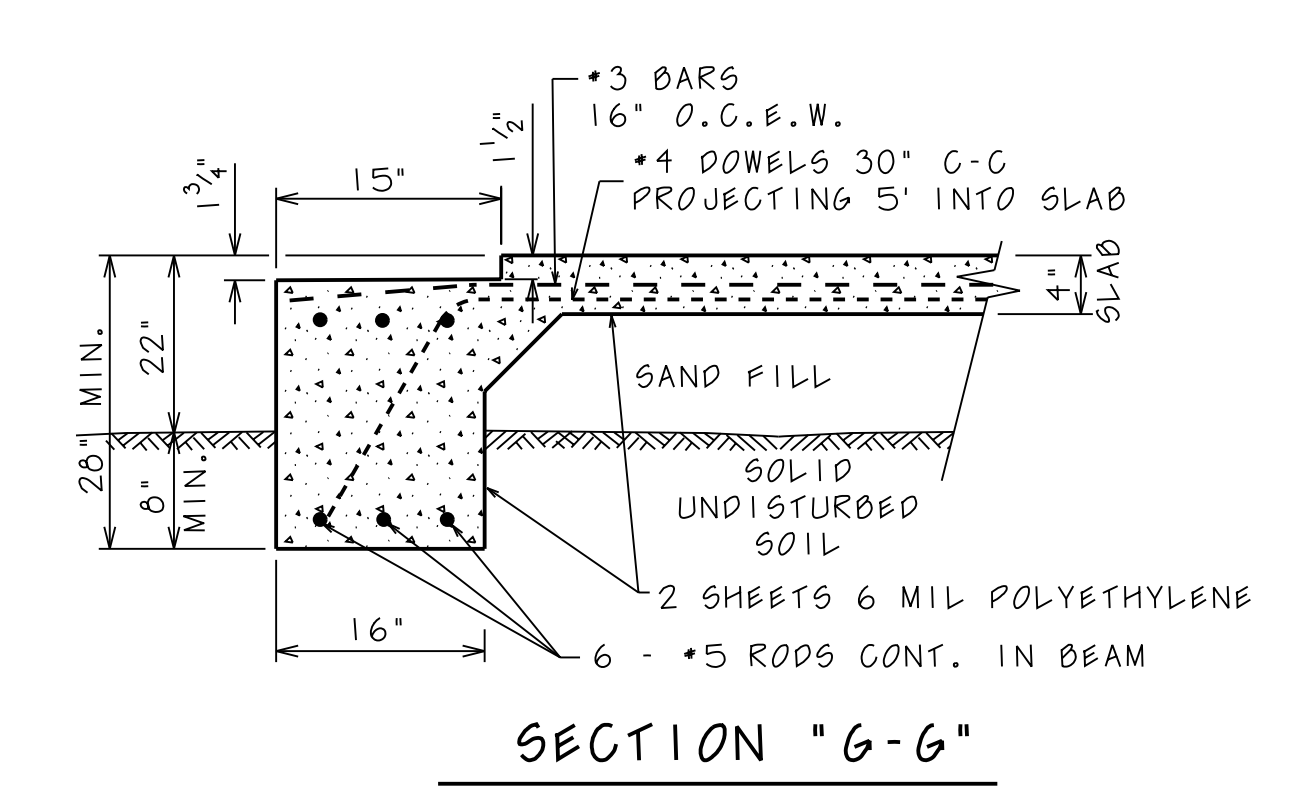
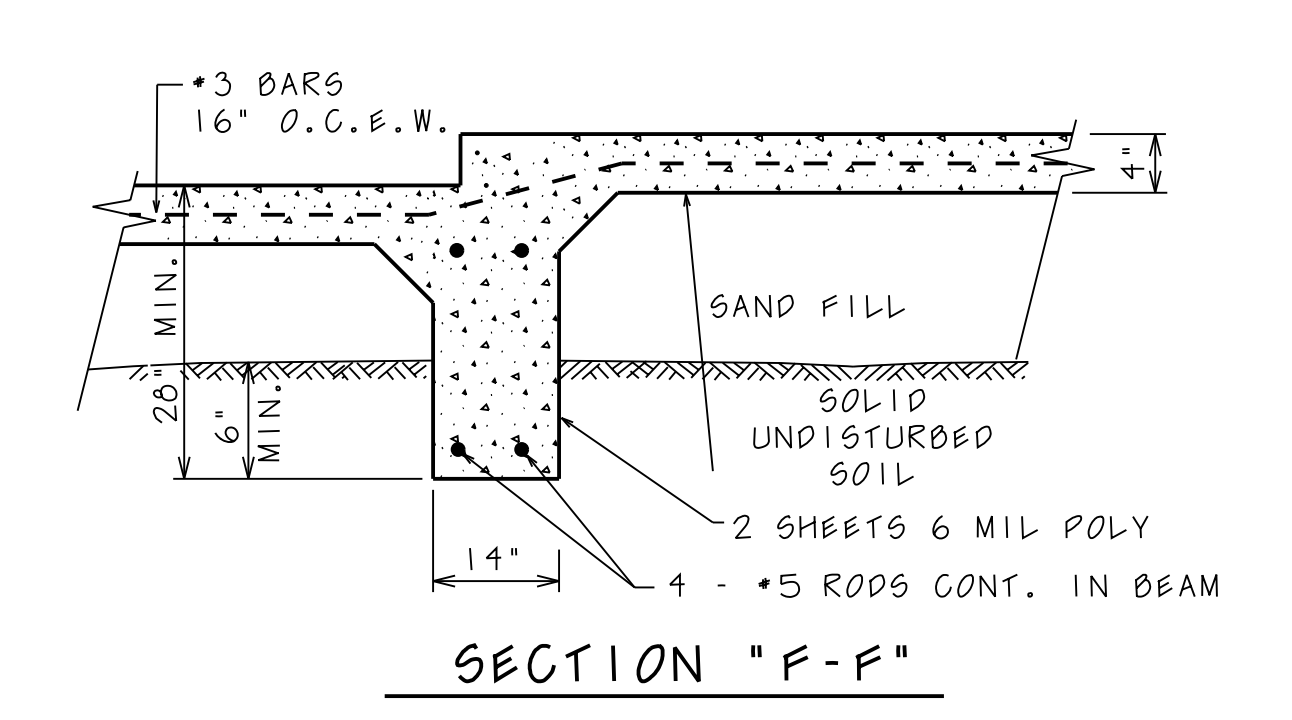
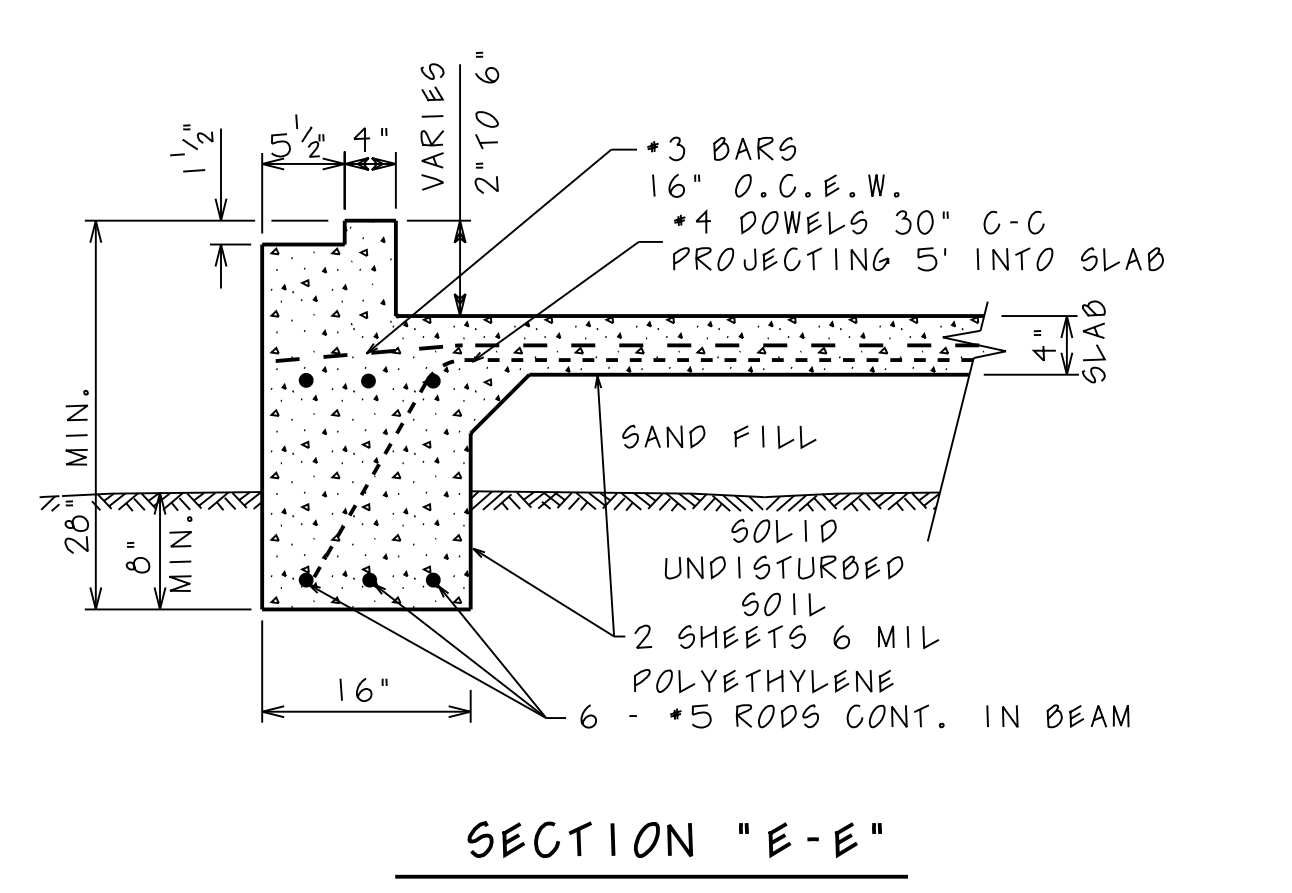
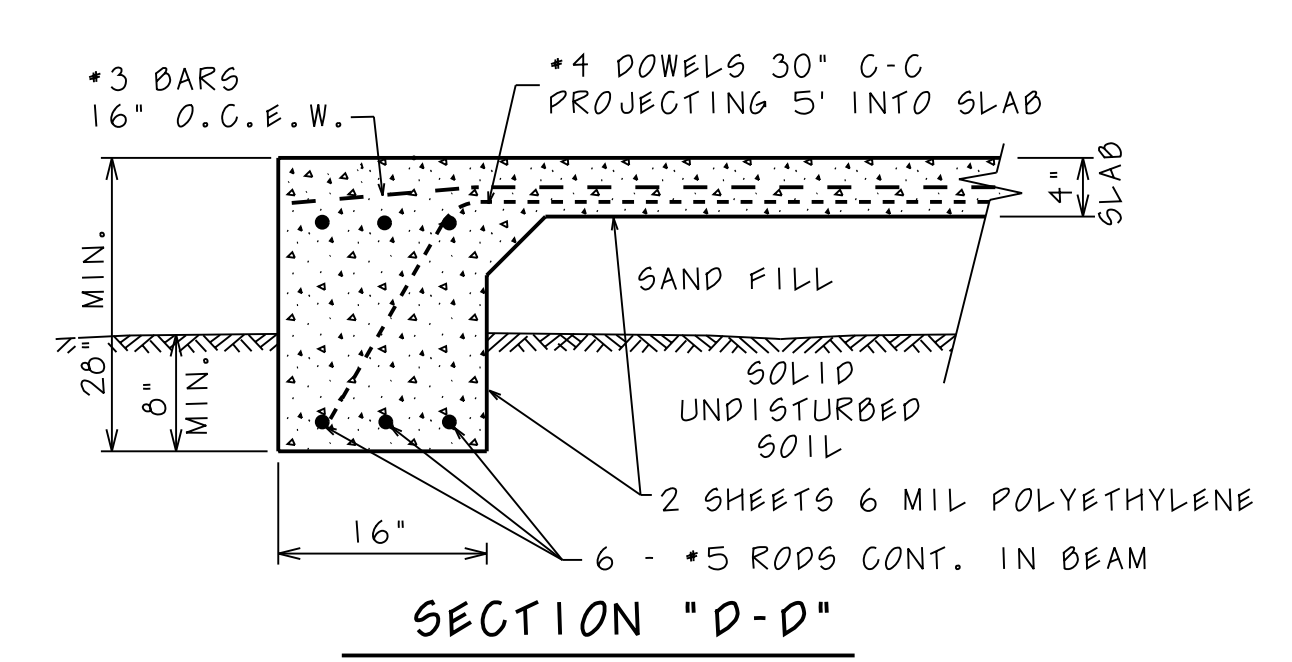
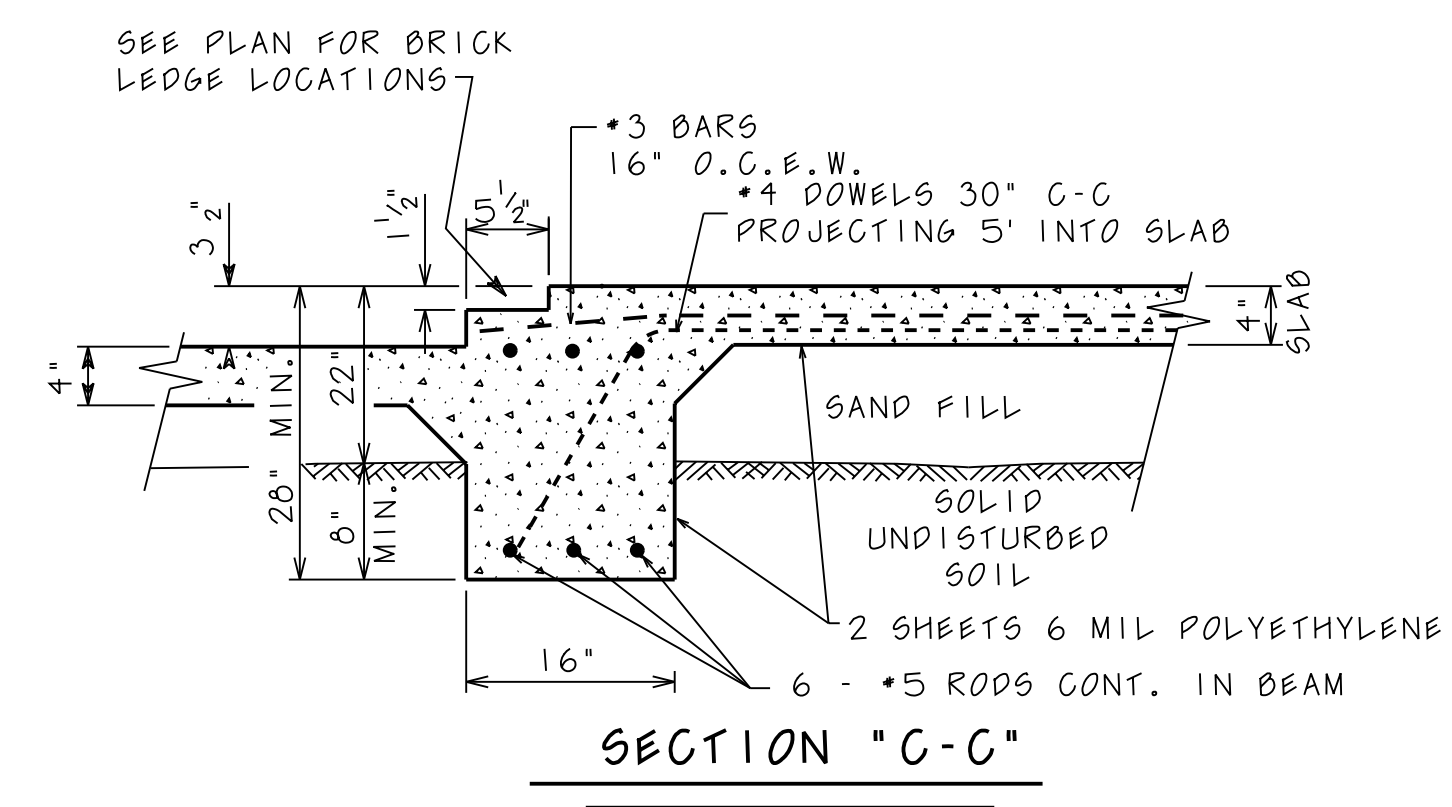
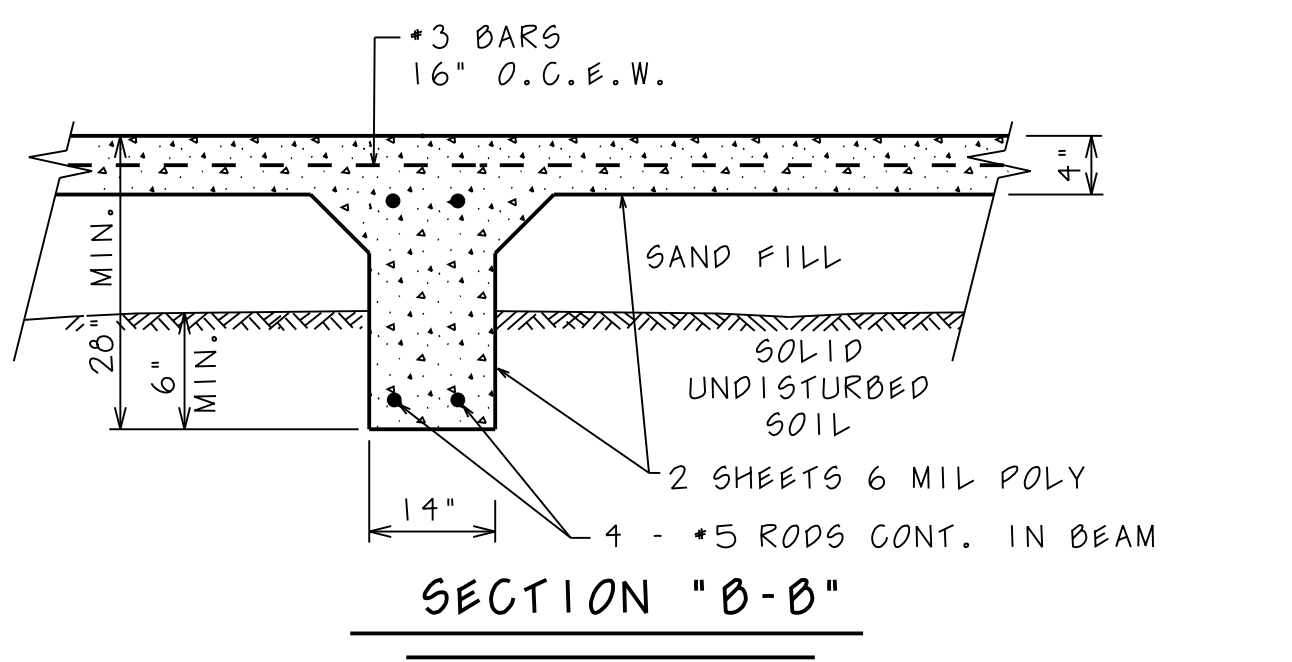
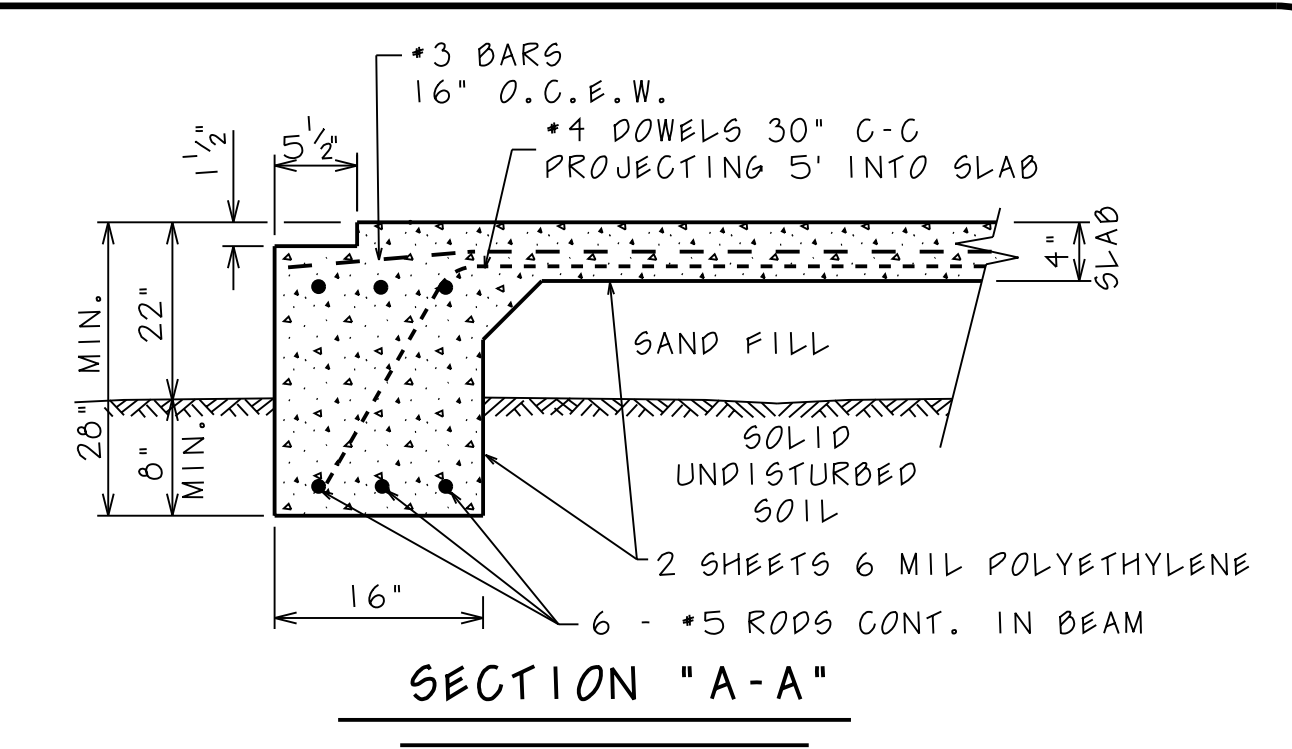
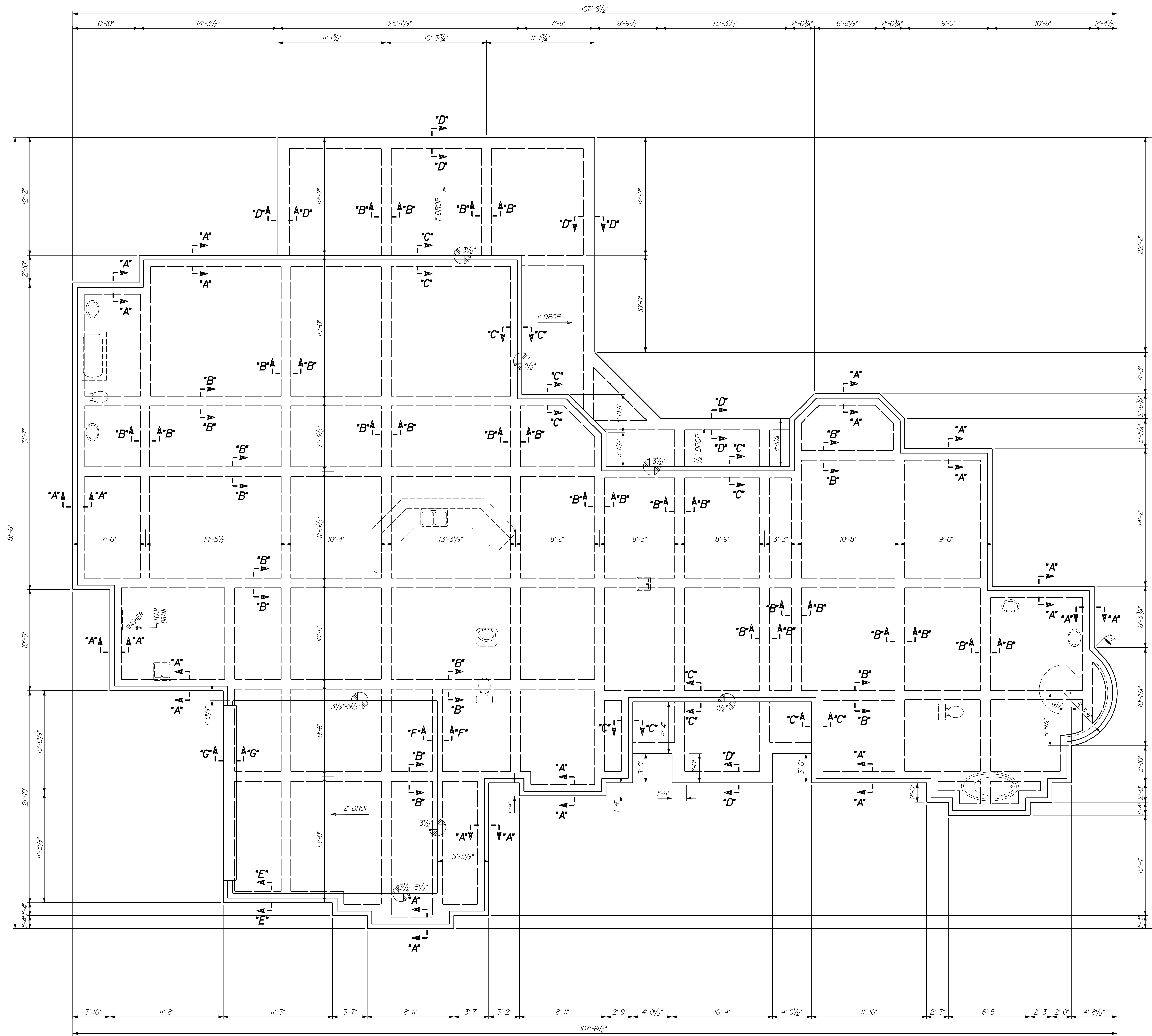


- ELECTRICAL LEGEND**
- ⬇ SOFFIT MOUNTED FLOOD LIGHTS (SECURITY)
 - ⊙ RECESSED LIGHT
 - ⊙ DIRECTIONAL LIGHT
 - \$R\$ RHEOSTAT
 - ⊙ VENT FAN & LIGHT
 - 3 3 WAY SWITCH
 - 4 4 WAY SWITCH
 - ⊙ PENENT LIGHT
 - ⊕ DUPLEX OUTLET
 - ⊕ WALL SCONCE LIGHT

2ND FLOOR ELECTRICAL

FIRST FLOOR ELECTRICAL PLAN

2ND FLOOR PLAN



Town & Country Designs
 CUSTOM HOME DESIGN & REMODELING

Town & Country Designs
 Michael Peres
 130 Fawn Trail
 Lake Jackson, Texas 77566
 979 296-7903
 meperes@comcast.net

Residence of
 James & Rebecca Arnold

FOUNDATION PLAN
 Date: December, 2014
 Scale: 1/4" = 1'-0"